



I-8024UW

4 Channel Isolated
Analog Output Module

I-8028UW

8 Channel Isolated
Analog Output Module

Introduction

The I-8024UW and I-8028UW are Source Type Analog Output Modules, offering 4 and 8 single-ended Analog Output channels. Each channel can be programmed to an individual output range of 0 ~ 5 VDC, ±5 VDC, 0 ~ 10 VDC, ±10 VDC, +4 ~ +20 mA or 0 ~ +20 mA.

Open wire detection is provided for +4 ~ +20 mA output. Options for configuring power-on and safe values are included, together with qualification for ±4 kV ESD protection as well as 2500 VDC intramodule isolation.

Application

- Data Acquisition System
- Vibration Analysis
- Process Monitoring and Control
- Factory Automation

System Specifications

Model	I-8024UW	I-8028UW
LED Display		
System LED Indicator	1 LED as Power Indicator	
Isolation		
Intra-module Isolation, Field-to-Logic	2500 VDC	
EMS Protection		
ESD (IEC 61000-4-2)	±4 kV Contact for each Terminal	
Power		
Consumption	2 W Max.	
Mechanical		
Dimensions (W x L x H)	31 mm x 129 mm x 114 mm	
Environment		
Operating Temperature	-25 ~ +75 °C	
Storage Temperature	-40 ~ +85 °C	
Humidity	10 ~ 90 % RH, Non-condensing	

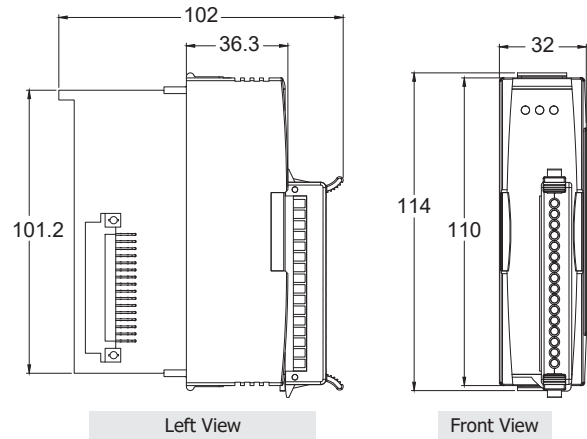
Features

- 4/8 Channel Voltage/Current Output
- Source Current Output Wiring
- Individual Channel Configuration
- Short Circuit Protection
- Power-on Value
- Safe Value
- 4 kV ESD Protection
- 2500 VDC Intra-module Isolation



Dimensions (Units: mm)

I-8024UW/I-8028UW

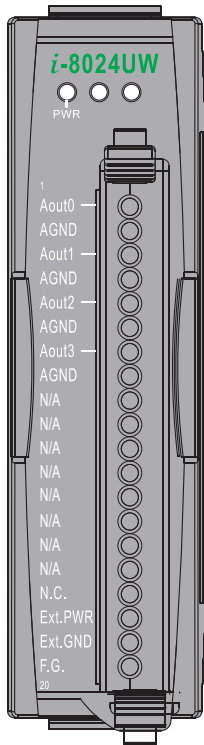


I/O Specifications

Model	I-8024UW	I-8028UW
Analog Output		
Channels	4	8
Current Output Wiring	Source	
Resolution	16-bit	
Range	0 ~ +5 VDC, ±5 VDC, 0 ~ +10 VDC, ±10 VDC, 0 ~ +20 mA, +4 ~ +20 mA	
Accuracy	±0.02% of FSR	
Zero Drift	±0.2 μV/°C	
Span Drift	±25 ppm/°C	
Short Circuit Protection	Yes	
Response Time	105 us per channel	
Programmable Output Slope	Voltage: 0.5 V/us Current: 0.024 mA/us	
Power-on Value	Yes	
Safe Value	Yes	
Isolation		
Reverse Polarity Protection	Yes	
Powered from Terminal Block	15 ~ 30 VDC	
Isolation	3000 VDC	

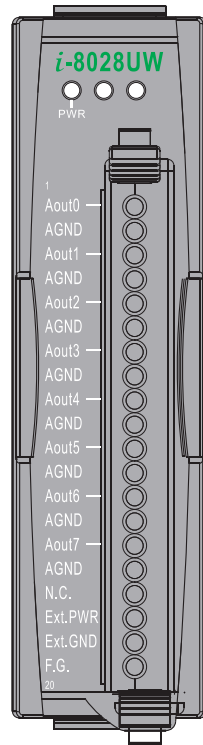
Pin Assignments

I-8024U



Terminal No.	Pin Assignment
01	Aout0
02	AGND
03	Aout1
04	AGND
05	Aout2
06	AGND
07	Aout3
08	AGND
09	N/A
10	N/A
11	N/A
12	N/A
13	N/A
14	N/A
15	N/A
16	N/A
17	N.C.
18	Ext.PWR
19	Ext.GND
20	F.G.

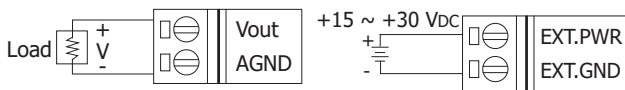
I-8028U



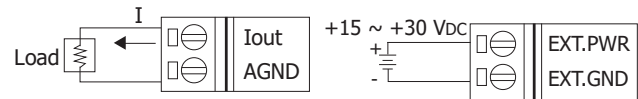
Terminal No.	Pin Assignment
01	Aout0
02	AGND
03	Aout1
04	AGND
05	Aout2
06	AGND
07	Aout3
08	AGND
09	Aout4
10	AGND
11	Aout5
12	AGND
13	Aout6
14	AGND
15	Aout7
16	AGND
17	N.C.
18	Ext.PWR
19	Ext.GND
20	F.G.

Wire Connections

Voltage Output Wiring

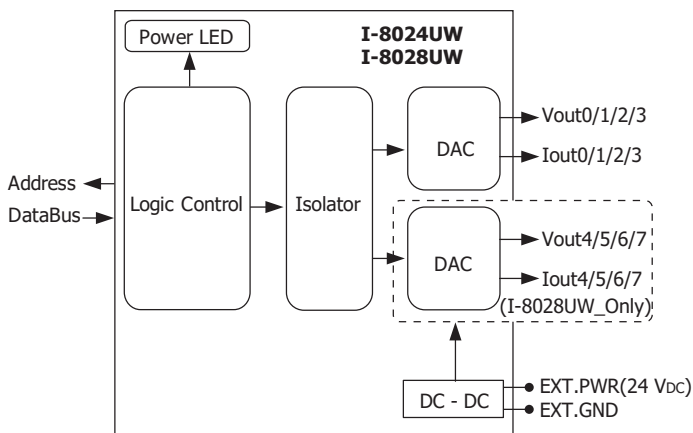


Current Output Wiring



Internal I/O Structure

I-8024UW/I-8028UW



Accessories



SG-770 CR

7-channel Differential or 14-channel Single-ended Surge Protector (RoHS)

Ordering Information

I-8024UW CR	4-channel Isolated Analog Output Module (RoHS)
I-8028UW CR	8-channel Isolated Analog Output Module (RoHS)